



p 1.800.929.9247  
 f 1.312.348.6163  
 e adams.parts@adamselevator.com  
 w adamselevator.com/handrails

**EXTRUDED  
 FLAT 3"**  
 INTERACTIVE E-FORM

Select a Standard Finish-Cladding & Part No.

E-Form Instructions

To fill out e-form, click and type in highlighted form field areas. Use the Email button to send it.

If preferred you can print this form, fill out by hand and fax it to us.

Select a Spacer Type

- In Cab Installation (Removable)
- Exterior Cab Installation

**Stainless Steel** (#4 Brushed)  
 AHE3000S

**Yellow Brass** plated steel (#8 Polished)  
 AHE3000YBP

**Stainless Steel** (#8 Polished)  
 AHE3000SP

**Bronze** plated steel (#4 Brushed Red Brass)  
 AHE3000B

**Yellow Brass** plated steel (#4 Brushed)  
 AHE3000YB

Handrail Worksheet

More Parts Delivered Faster

Qty: \_\_\_\_\_

Total # of Spacers \_\_\_\_\_  
 required per rail

Overall Length: \_\_\_\_\_

---

Qty: \_\_\_\_\_

Total # of Spacers \_\_\_\_\_  
 required per rail

Overall Length: \_\_\_\_\_

---

Qty: \_\_\_\_\_

Total # of Spacers \_\_\_\_\_  
 required per rail

Overall Length: \_\_\_\_\_

---

Qty: \_\_\_\_\_

Total # of Spacers \_\_\_\_\_  
 required per rail

Overall Length: \_\_\_\_\_

---

Qty: \_\_\_\_\_

Total # of Spacers \_\_\_\_\_  
 required per rail

Overall Length: \_\_\_\_\_

Company: \_\_\_\_\_

Job Name: \_\_\_\_\_

Order #: \_\_\_\_\_ P.O.#: \_\_\_\_\_

Contact Name: \_\_\_\_\_

Contact E-mail: \_\_\_\_\_

Phone (\_\_\_\_) \_\_\_\_ - \_\_\_\_\_ Fax (\_\_\_\_) \_\_\_\_ - \_\_\_\_\_



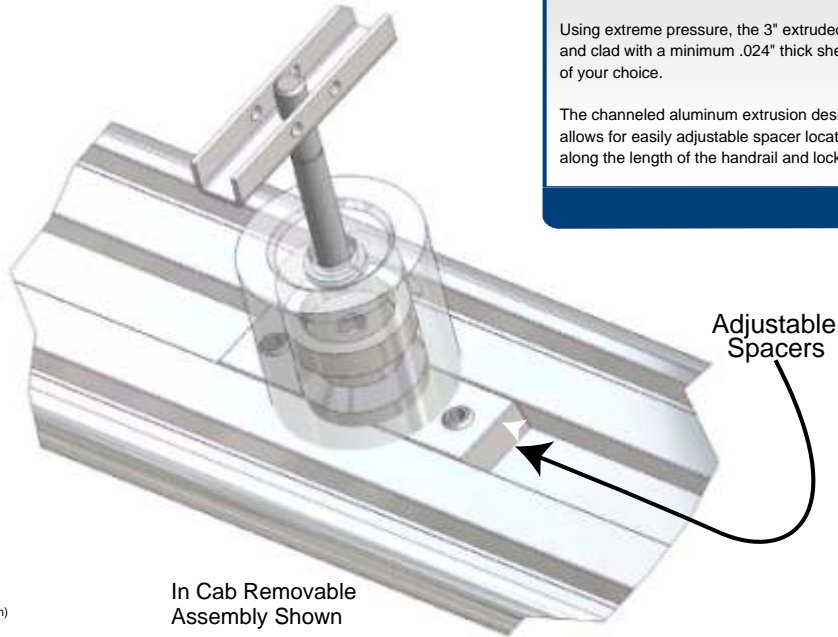
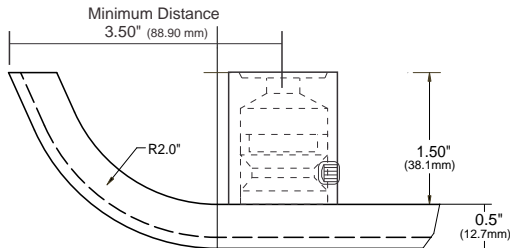
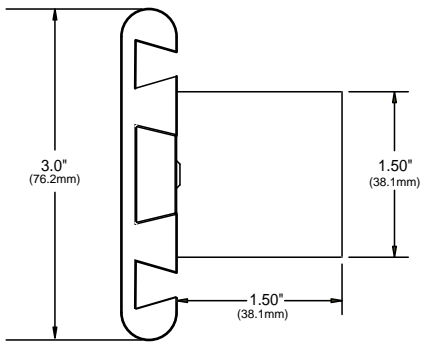
SHIP TO ADDRESS: \_\_\_\_\_



Order Notes: \_\_\_\_\_

Manufactured by

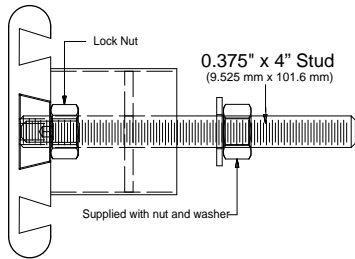




Using extreme pressure, the 3" extruded is tightly roll formed and clad with a minimum .024" thick sheet metal in the finish of your choice.

The channeled aluminum extrusion design of these handrails allows for easily adjustable spacer locations that can be slid along the length of the handrail and locked into place.

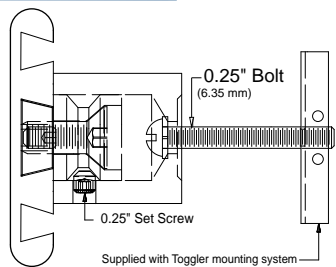
## exterior cab installation spacer



### PULL-OUT VALUES for 3/8" STUD

Handrail Thread-lock fastener engineered test data  
Pull-out values for removal of threaded fasteners from Lustre Products' handrails = 1509 lbs

## in cab (removable) installation spacer

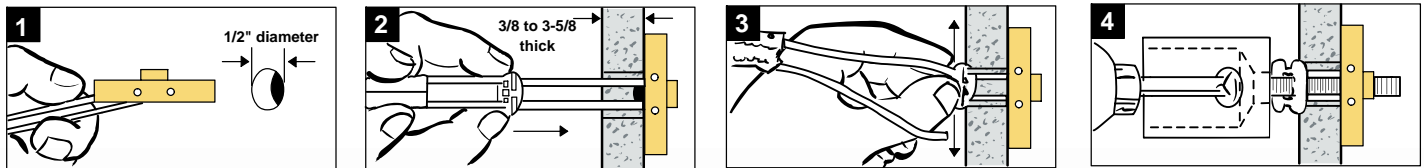


### PULL-OUT VALUES for 1/4"-20 BOLT

265 lbs (120 kg) ultimate tensile load in 1/2" drywall  
306 lbs (162 kg) ultimate tensile load in 5/8" drywall  
925 lbs (420 kg) ultimate tensile load in concrete block  
1,283 lbs (583 kg) ultimate tensile load in steel plate

Tests by independent test laboratory show ultimate load. Industry safety standards recommend 1/4 of the values for actual applications. Age and conditions of substrate will cause load values to vary.

## In Cab Removable Handrail Spacer Installation Instructions



## Handrail Weight

SHIPPING WEIGHTS = Handrail physical weight calculations = 1.62 lbs per lineal foot (0.73 kg / 30.48 cm)

Spacer assembly = 0.58 lbs (0.26 kg) per spacer

ACTUAL WEIGHTS = Average assembled and packaged shipping weight = 2.48 lbs per lineal foot of handrail (1.13 kg / 30.48 cm)

## Care & Maintenance

To clean and maintain these handrails: gently clean only with a soft cloth, dampened with non abrasive soap and water. Maintain stainless steel using Scotch-Brite pads, Brasso, Miracle Shine, or other commercial metal polish. Brass and bronze sheet metal finishes have a baked clear coat and are non-refinishable. THE FINISH IS NOT WARRANTED. It will degrade with normal use and typical wear and tear.

Manufactured by

